

Safety & Comfort

**SEATBELT™
ADJUSTER**



PART NUMBER

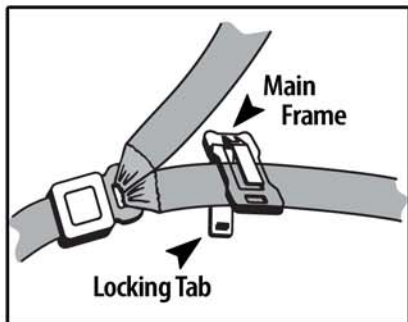


Fig. 1: Attach the Seatbelt Adjuster to the lap part of the belt by centering the belt between the hinged tongue and the front part of the clasp.

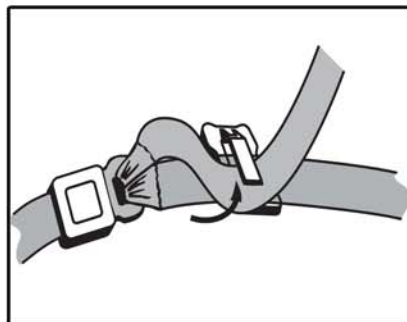


Fig. 2: Snap the back tongue securely in place by pressing the two pieces together until you hear a sharp clicking sound.

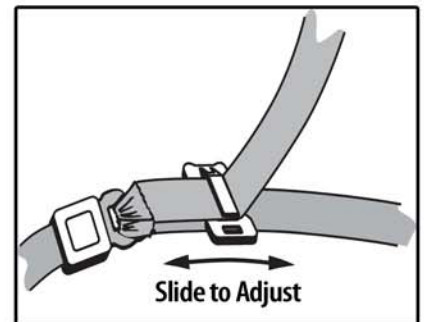


Fig. 3: Slip the shoulder belt under the front tongue of the Seatbelt Adjuster and slide the Adjuster to a comfortable position until the shoulder strap is away from your neck.



• Clipstrips • Open Carded Stock • Counter Display Units



Master Design is a trademark of:
Masterlink Marketing
26 Robertson Davies Drive • Brampton • ON L7A 1J9
e-mail: masterlink@bellnet.ca • www.masterlink.ca

Designed, manufactured and packaged in Canada